



# Kalmar Big Wheel

**DCG100-12BW**  
**DCG140-6BW**

22,000 & 31,000 lbs capacity



**KALMAR**

A red forklift is shown from a rear-quarter perspective, carrying a large, rectangular stack of lumber. The stack is composed of many layers of light-colored wood, with the ends of the logs visible, creating a textured, repetitive pattern. The forklift is on a dirt road, and in the background, there are more stacks of lumber and a line of evergreen trees under a clear sky. The entire image is framed by a thick red border.

# A smoother ride

The job must be done even on a bumpy road. But it can be hard with a regular forklift. It takes big wheels to level out the bumps. It takes Kalmar Big Wheel.

Anyone who has used a forklift at a sawmill or lumberyard knows how difficult it can be to work on an uneven surface, especially in the winter. Achieving the required precision in lifting and driving, while trying to cope with the uncomfortable shaking, is truly challenging.

We developed Big Wheel to give you a smoother ride. Equipped with oversized front wheels, these forklifts allow you to

work efficiently, and comfortably, even when surface conditions are poor.

You get superb traction and can work productively in rough conditions where high ground clearance is required. The big tyres also provide excellent suspension when driving over uneven surfaces.

Big Wheel forklifts are available in two size models, with a lifting capacity of 22,000 & 31,000 lbs capacity, respectively. As part of the Kalmar G generation, Big Wheel offers a range of benefits including highest operator safety and ergonomics.

# G generation excellence

Big Wheel is part of Kalmar's G generation of forklift trucks. Every G generation forklift comes equipped with a set of technically advanced features that add to the driver's operating experience and performance.

The G generation marked the introduction of Kalmar's renowned EGO cabin, which truly puts the operator in the driver's seat. The idea behind the cabin was to give operators the best possible working environment – allowing them to pay full attention to the work at hand.

With its excellent 360-degree view, ergonomically designed controls, tiltable steering wheel and adjustable seat, the EGO cabin has since its introduction become the preferred choice among health and safety aware customers around the world.

Other features that make these forklifts stand out from competition include an extra heavy duty mast, an intelligent electric system, and a variable hydraulic system that improves manoeuvrability and saves fuel.



*Designed specifically for the lumber industry: An optional reversible cooling fan helps clear the cooler from harmful dust. An optional rotatable driver's seat lets the driver go 'forward in reverse' with unobstructed view even when fully loaded.*

## Big is beautiful

Superb manoeuvrability in uneven terrain. 11.8" ground clearance under the mast. Excellent suspension thanks to the 23.5R25/24PR front tyres. That's Big Wheel in a nutshell.



## Clever radiator cleaning

You can use the optional reversing cooling fan to blow the radiator clean from potentially harmful dirt, dust or particles. Perfect when your Big Wheel is operated in sawmills and other dusty environments.

## A forklift with a view

The EGO cabin's excellent 360-degree view makes it safe and easy to operate your Big Wheel forklift. The work console is easy to use and understand. All the necessary controls, switches, levers and indicators are easily accessible.



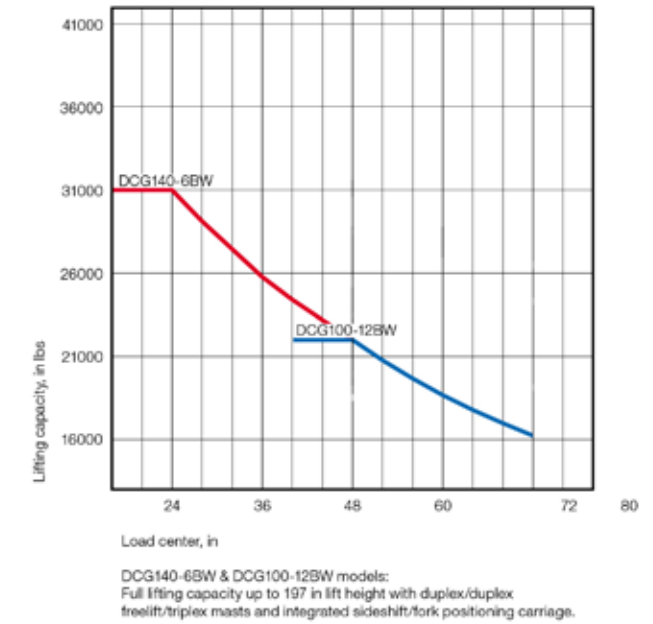
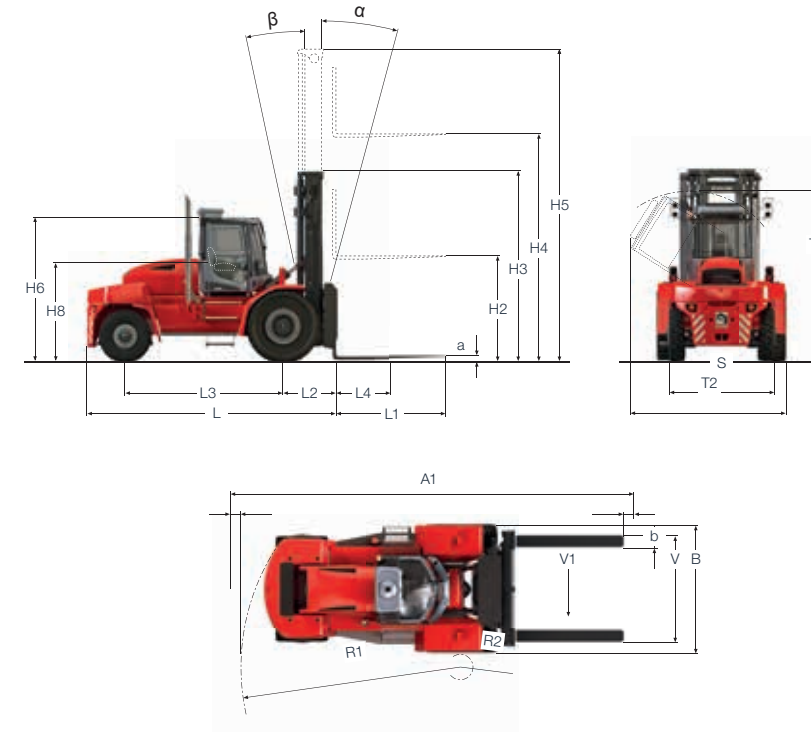
# Drivetrain and performance

ENGINE		Cummins B6.7 (225 hp) with ZF 3WG171	
Manufacturer's type designation		Cummins QSB6,7 (Turbo-Intercooler)	
Fuel, type of engine		Diesel, 4-stroke	
Rating ISO 3046 / at revs	hp / rpm	225 / 2200	
Peak torque ISO 3046 / at revs	lbf-ft / rpm	700 / 1500	
Number of cylinders / displacement	in <sup>3</sup>	6 / 360	
Fuel consumption, normal driving	gal/h	2.0-2.6	
Diesel Exhaust Fluid (DEF) consumption, normal driving	% of diesel	3-5%	
Emission standard		Tier 4F	

GEARBOX & MISC		ZF 3WG171	
Manufacturer's type designation		ZF 3WG171	
Clutch, type		Torque converter	
Gearbox, type		Hydrodynamic Powershift	
Numbers of gears, forward / reverse		3 / 3	
Alternator, type / power	Amp	AC / 70	
Starting battery, voltage / capacity	V / Ah	2x12 / 145	
Driving axle, manufacturer / type		Kessler D81 / Differential and hub reduction	

PERFORMANCE		DCG140-6BW	DCG100-12BW
Lifting speed	Unloaded (ft/s)	1.3	1.3
	At rated load (ft/s)	1.0	1.0
Lowering speed	Unloaded (ft/s)	1.0	1.0
	At rated load (ft/s)	1.3	1.3
Travelling speed, F/R	Unloaded (mph)	15.5	15.5
	At rated load (mph)	13.7	13.7
Gradeability, max.	Unloaded (%)	91	91
	At rated load (%)	44	51
Gradeability, at 1.2 mph	Unloaded (%)	58	58
	At rated load (%)	31	36
Drawbar pull	Max. (lbf)	13,200	13,200
Noise level, inside	LpAZ*, EGO cabin (dB(A))	73	73
	LpAZ*, EGO OHG (dB(A))	85	85
Noise level, outside	LWA** (dB(A))	108	108

\* LpAZ according to EN12053 \*\* LWA according to 2000/14/EC



	MAIN DATA	DCG140-6BW		DCG100-12BW	
		Model designation	Power source	Rated capacity / rated load	Load center distance
WEIGHTS	Service weight (unloaded, front + rear)	46,297	45,634		
	Axle load front; unloaded	24,691	24,691		
	Axle load front; at rated load	71,870	62,390		
	Axle load rear; unloaded	21,605	20,943		
WHEELS	Type, front / rear	Pneumatic / Pneumatic	Pneumatic / Pneumatic		
	Tire size, front	23.5R25/24PR	23.5R25/24PR		
	Tire size, rear	12.00 - 20/20PR	12.00 - 20/20PR		
	Number of wheels, front / rear (x = driven wheels)	2x / 2	2x / 2		
DIMENSIONS	Track width, front / rear	86 / 77	86 / 77		
	Tire pressure, front / rear	84 / 145	84 / 145		
DIMENSIONS	Mast tilt, $\alpha$ = forward / $\beta$ = backward	15 / 15	15 / 15		
	Height of mast lowered	167	167		
	Lift height	197	197		
	Height of mast extended	266	266		
	Truck height - EGO / OHG cabin roof	123	123		
	Seat height	79	79		
	Height when tilting EGO cab / OHG	142	142		
	Width when tilting EGO cab / OHG	138	138		
	Truck length (to face of forks)	216	217		
	Truck width	110	110		
	Fork dimensions, width	7.9	7.9		
	Fork dimensions, thickness	2.8	3.9		
	Fork dimensions, length of fork arm	48	96		
	Fork carriage width	98	98		
	Width over fork arms, maximum / minimum	93 / 23.6	93 / 25.2		
	Sideshift $\pm$ @ width over forks	17.3 / 58.2	16.9 / 59.0		
Ground clearance, laden, below mast / mast beams	19.7 / 11.8	19.7 / 11.8			
Ground clearance, machine	21.6	21.6			
Min. aisle width for 90° stacking with forks	293	341			
Turning radius	188	188			
Internal turning radius	16.5	16.5			
OTHERS	Operating pressure for hydraulics	2755	1812		
	Hydraulic oil tank, capacity	39.6	52.8		
	Fuel tank, capacity	55.5	55.5		
	Diesel Exhaust Fluid (DEF) tank, capacity	3.9	3.9		





# KALMAR

Making your every move count

Kalmar offers the widest range of cargo handling solutions and services to ports, terminals, distribution centres and to heavy industry. Kalmar is the industry forerunner in terminal automation and in energy efficient container handling, with one in four container movements around the globe being handled by a Kalmar solution. Through its extensive product portfolio, global service network and ability to enable a seamless integration of different terminal processes, Kalmar improves the efficiency of every move. [www.kalmarglobal.com](http://www.kalmarglobal.com)

Kalmar USA  
415 East Dundee St.  
Ottawa, KS 66067, USA  
tel. +1-785-242-2200  
fax +1-785-242-8573  
web. [kalmarusa.com](http://kalmarusa.com)

[www.kalmarglobal.com](http://www.kalmarglobal.com)

Published by Kalmar, part of Cargotec. Copyright Cargotec. All rights reserved.