

Innovative 3-phase AC technology
Intuitive tiller handle and head
Premium ergonomic designs
Assistance systems and productivity enhancement features
Integrated hydraulic system
Excellent maneuverability in confined spaces



ECR M27-ECR M36

End Rider Pallet Jacks (6,000 / 8,000 lb.)

Efficiency Superiority Through Electrics

With our 3-phase AC technology, the ECR M27 - ECR M36 end riders are designed to expand the productivity of your operations. Knowing that operating efficiency is the single most important feature the market is looking for in its end riders, these trucks meet and often exceed these levels that customers can expect from Jungheinrich warehouse products.

Operator Ergonomics And Awareness

Commonly selected for increased protection and comfort for operators, Jungheinrich end riders provide an intuitive, top-mounted tiller head design with a 190° steering arc for exceptional turning radius and minimal steering effort to minimize the amount of wear and tear an operator feels after a long shift. Additionally, the operator platform, the largest in its class, and intermediate tubular grab bar design with rubber padding provides improved grip and superior operator comfort.

Durability Designed To Deliver

Equipment is only good if it is running, so all major components of these Jungheinrich end riders were built for durability and reliability for increased uptime. From the integral hydraulic system, to the low-maintenance AC design, to the heavy duty drive unit and gear, you can count on the ECR M27-ECR M36 to meet

 **JUNGHEINRICH®**

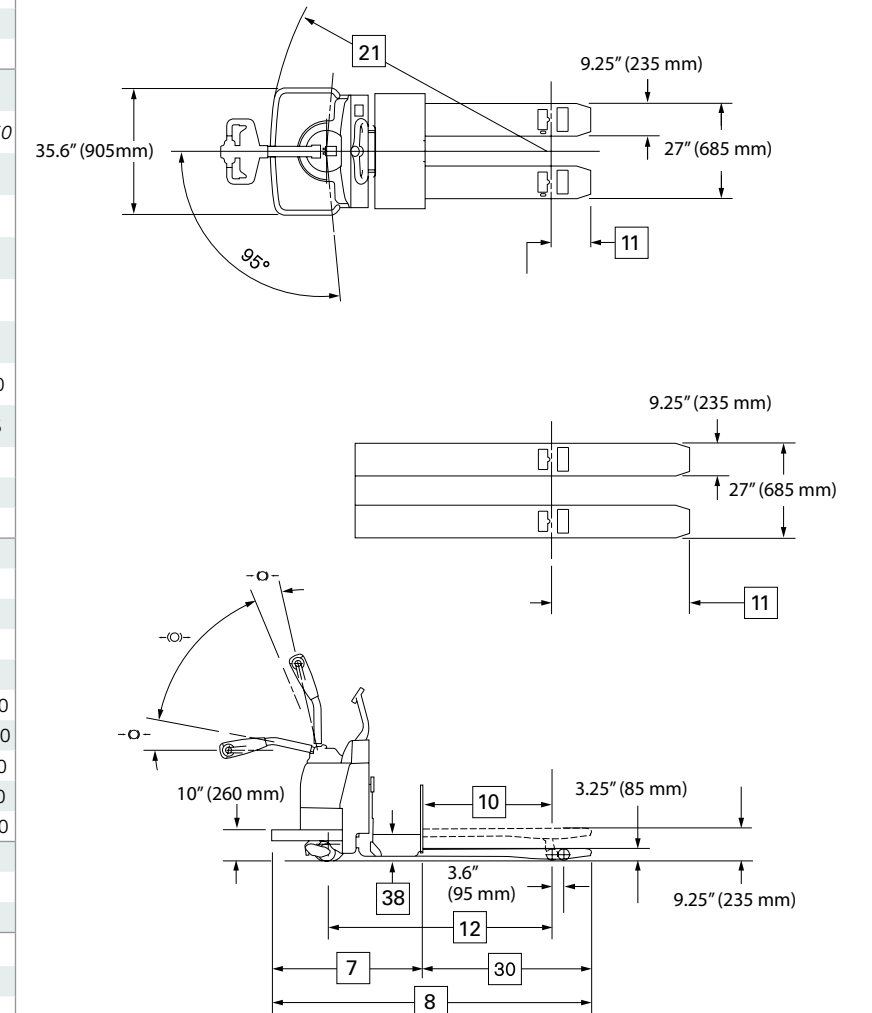
Technical data

as of: 08/2020

ECR M27-ECR M36

				ECR M27		ECR M36		
Characteristics	1	Capacity at rated load center	lb	kg	6,000	2,720	8,000	3,630
	2	Capacity at load center - distance	in	mm	24	500	24	500
	3	Power – diesel, gasoline, LP gas, electric			24V electric		24V electric	
	4	Operator type			walkie/ rider		walkie / rider	
	5	Tire type – drive / caster / load wheels			solid rubber / poly / Dyalon® A Poly		solid rubber / poly / Dyalon® A Poly	
	6	Wheels (x=driven) number drive / caster / load			1x / 2 / 2		1x / 2 / 2	
Dimensions	7	Head length	in	mm	42.7	1,085	42.7	1,085
	8	Overall truck length			78.8 / 84.8 / 90.8 / 126.8 / 138.8	2,000 / 2,155 / 2,305 / 3,220 / 3,530	78.8 / 84.8 / 90.8 / 126.8 / 138.8	2,000 / 2,155 / 2,305 / 3,220 / 3,530
	9	Chassis width	in	mm	35.6	905	35.6	905
	10	Face of forks to center of load wheel – forks raised	in	mm	24.4 / 30.4 / 36.4 / 56.5 / 56.	620 / 770 / 925 / 1,435 / 1,435	24.4 / 30.4 / 36.4 / 56.5 / 56.	620 / 770 / 925 / 1,435 / 1,435
	10	Face of forks to center of load wheel – forks lowered	in	mm	28.0 / 34.0 / 40.0 / 60.1 / 60.1	710 / 865 / 1,015 / 1,525 / 1525	28.0 / 34.0 / 40.0 / 60.1 / 60.1	710 / 865 / 1,015 / 1,525 / 1525
	11	Center of load wheel to fork tips – forks raised	in	mm	11.3 / 11.3 / 11.3 / 27.2 / 39.2	290 / 290 / 290 / 690 / 995	11.3 / 11.3 / 11.3 / 27.2 / 39.2	290 / 290 / 290 / 690 / 995
	11	Center of load wheel to fork tips – forks lowered	in	mm	7.7 / 7.7 / 7.7 / 23.6 / 35.6	195 / 195 / 195 / 605 / 905	7.7 / 7.7 / 7.7 / 23.6 / 35.6	195 / 195 / 195 / 605 / 905
	12	Wheelbase – forks raised	in	mm	51.6 / 57.6 / 63.6 / 83.5 / 83.5	1,310 / 1,465 / 1,615 / 2,120 / 2,120	51.6 / 57.6 / 63.6 / 83.5 / 83.5	1,310 / 1,465 / 1,615 / 2,120 / 2,120
	12	Wheelbase – forks lowered	in	mm	55.2 / 1.2 / 67.2 / 87.1 / 87.1	1,405 / 1,555 / 1,710 / 2,215 / 2,215	55.2 / 1.2 / 67.2 / 87.1 / 87.1	1,405 / 1,555 / 1,710 / 2,215 / 2,215
	13	Drive tire dimensions	in	mm	10 x 5	254 x 127	10 x 5	254 x 127
	14	Caster wheel dimensions	in	mm	5 x 2.5	127 x 64	5 x 2.5	127 x 64
	15	Load wheel dimensions	in	mm	3.25 x 6	83 x 152	3.25 x 6	83 x 152
Performance	16	Travel speed – unloaded	mph	km/h	9.1	14.6	9	14.6
	17	Travel speed – loaded	mph	km/h	6.6	10.6	6.1	9.8
	18	Lift / Lower speed – unloaded	seconds		3.6	5.1	3.6	5.1
	19	Lift / lower speed – loaded	seconds		5.1	4.8	6.1	4.7
	20	Grade clearance – forks raised with pallet	%		36.4 / 32.5 / 29.4 / 22.4 / 22.4		36.4 / 32.5 / 29.4 / 22.4 / 22.4	
	21	Turning radius – standard	in	mm	68.0 / 73.9 / 79.7 / 99.5 / 99.5	1,730 / 1,875 / 2,025 / 2,530 / 2,530	68.0 / 73.9 / 79.7 / 99.5 / 99.5	1,730 / 1,875 / 2,025 / 2,530 / 2,530
	22	Right angle stacking aisle* (40°, 42°, 48° load width)	in	mm	78.0 / 84.0 / 90.0 / 128.0 / 140.0	1,980 / 2,130 / 2,285 / 3,230 / 3,540	78.0 / 84.0 / 90.0 / 128.0 / 140.0	1,980 / 2,130 / 2,285 / 3,230 / 3,540
	23	90° equal intersecting area* – 40° load length	in	mm	66.2 / 69.3 / 72.4 / 83.6 / 84.7	1,685 / 1,760 / 1,840 / 2,125 / 2,150	66.2 / 69.3 / 72.4 / 83.6 / 84.7	1,685 / 1,760 / 1,840 / 2,125 / 2,150
	24	90° equal intersecting area* – 42° load length	in	mm	67.2 / 70.3 / 73.4 / 84.6 / 85.8	1,710 / 1,785 / 1,865 / 2,150 / 2,180	67.2 / 70.3 / 73.4 / 84.6 / 85.8	1,710 / 1,785 / 1,865 / 2,150 / 2,180
	25	90° equal intersecting area* – 48° load length	in	mm	70.3 / 73.4 / 76.2 / 87.8 / 88.9	1,785 / 1,865 / 1,945 / 2,230 / 2,260	70.3 / 73.4 / 76.2 / 87.8 / 88.9	1,785 / 1,865 / 1,945 / 2,230 / 2,260
Weight	26	Truck weight – no load, without battery	lb	kg	1110 / 1140 / 1165 / 1305 / 1340	505 / 515 / 530 / 590 / 610	1110 / 1140 / 1165 / 1305 / 1340	505 / 515 / 530 / 590 / 610
	27	Battery weight – minimum	lb	kg	900	410	900	410
	28	Battery weight – maximum	lb	kg	1,500	680	1,500	680
Forks	29	Forks size - outside spread	in	mm	27	685	27	685
	30	Fork length	in	mm	36 / 42 / 48 / 84 / 96	915 / 1,060 / 1,210 / 2,125 / 2,430	36 / 42 / 48 / 84 / 96	915 / 1,060 / 1,210 / 2,125 / 2,430
	31	Fork height –raised	in	mm	9.25	235	9.25	235
	32	Fork height – lowered	in	mm	3.25	82.5	3.25	82.5
	33	Fork width	in	mm	9.25	235	9.25	235
	34	Compartment size* – length x width x height	in	mm	31.9 x 13.25 x 32	810 x 335 x 815	31.9 x 13.25 x 32	810 x 335 x 815
Battery	35	Amp Hr capacity – maximum (6-hour)	Ah		840		840	
	36	Lead length – position B	in	mm	20	508	20	508
	37	Connector	type		SB-175 Red		SB-175 Red	
	38	Battery roller optional – height from floor (forks lowered)	in	mm	7.9	200	7.9	200

*Battery compartment size with adjustable retainers - 30.9 x 13.25 x 32 (785 x 335 x 815); With optional rollers and side gates: 31.1 x 13.25 x 32 (790 x 335 x 815)



Note: Equipping this model with a power source (e.g. Lithium-ion, Hydrogen Fuel cell, etc.) that has not been previously approved by the factory is considered a modification. Per OSHA 1910.178 and ANSI/ITSDF B56.1, please consult with your factory representative prior to installing any non-OEM power source that has not been previously approved.

The Jungheinrich Advantage

Ease of operation

- Intuitive operational controls
- Tiller style easy operation
- Rotary thumb travel speed controls that can be operated from either side
- Smooth, effortless finger tip directional control
- Soft touch switches
- Standard cruise control for virtually effortless operation and comfort
- Customized performance settings for operators of different skill levels (only available with LCD screen option)
- Excellent visibility in all directions



Extremely easy to maneuver



Largest operator platform in its class

Maneuverability

- 190° steering arc and infinitely variable travel speeds for precise movements in small spaces
- Field proven design using spiral bevel gears help to provide a smooth and quiet ride
- Large ball-bearing steering mechanism for easy operation

Productivity

- Run longer per charge by using less energy per cycle
- Innovative AC motor technology for proven reliability
- Regenerative braking allows for reservation of energy during operation
- Proportional plugging for long brake life
- Electronic speed control for efficient performance
- Enhanced thermal efficiency paired with the elimination of directional and lift contacts helps to ensure peak performance
- Large, sealed buttons for greater control when raising, lowering and actuating reverse commands
- Control coast allows for more efficient order picking and increased productivity

Ergonomics

- Cushioned, largest operator platform in its class
- Cruise control provides virtually effortless operation and comfort for the operator
- Low effort, soft touch switches and easy to reach buttons for great feel
- 1" thick anti-fatigue operator platform mat helps to absorb surface vibrations
- Sturdy, tubular design intermediate grab bar with rubber padding for improved grip and comfort

Minimize downtime

- Brushless AC drive motors use fewer components and require less maintenance
- Smart electric brake provides better response, less heat build-up and longer brake life with no adjustments to be made
- Thermal protection can slow or shut down the system if high temperatures occur
- One-piece two-bolt removal of cover containing major components
- Enclosed frame design helps to keep debris and foreign particles from entering major components
- Easily accessible lubrication fittings
- Five-nut removal of drive tire
- Auto-lift feature provides a clearance to reduce pallet and load carry component damage
- Durable frame and scratch resistant, high-gloss finish for tough applications
- Heavy-duty lift system, including a check valve and flow regulator, combined with a quiet, spiral beveled gear drive system provides solid, reliable performance
- IP65 rated sealed controller, which can operate in wet rooms, coolers and freezers withstanding temperatures down to -20°F (-28.9°C)
- Non-contact design coupled with fewer moving parts

Robust fork design

- Constructed from 1/4" plate steel
- Measuring 9 1/4" wide with reinforced tips
- Tapered 1/4" steel fork slides eliminate the need for entry rollers
- Standard 27" wide fork spread with various lengths available for single and double pallet fork options
- Steel push rods are constructed from solid bar stock to distribute high impact shocks
- Push-type design achieves the full 6" of lift without the use of tie rods extending beyond the fork plate - helping to reduce maintenance costs and prevent damage to the fork assembly

Parts when you need them

Jungheinrich's Parts Fast or Parts Free Guarantee ensures next-business-day delivery by 5:00 p.m. of all Jungheinrich parts in the United States, or they're free, including freight. For customers in Canada and Mexico, the guarantee ensures shipping of parts within 24 hours from the time the order was placed by the dealer. See your local Jungheinrich dealer for program details.

* Programs may be subject to change without notice and may vary by region. Please ask your local Jungheinrich dealer for complete terms and conditions.

** The product shown may be different than the actual configuration based on market requirements