



CUSHION TIRE FORKLIFT

3,000-6,500 LB CAPACITY LP GAS MODELS

COMFORT AND CONVENIENCE YOU CAN RELY ON



COMFORT COMES STANDARD.

STEP INTO THE OPERATOR COMPARTMENT OF AN FGC15N-FGC33N CUSHION TIRE FORKLIFT



MITSUBISHI

Comfortable Operator Compartment:

With three-point access, operators of any size can easily enter the operator compartment of these Mitsubishi forklift trucks. The large floor space allows more foot room for the operator, while the “through the floor” pedal design further reduces operator fatigue and discomfort throughout the day.

Ergonomic Seat: The FGC15N forklift series features seats with adjustable forward and backward movement, added side support in the back cushion and an orange, anti-cinch seat belt, creating a comfortable work environment for operators of varying heights. An optional full-suspension seat is available on the FGC20N-FGC33N models for additional support during long shifts.

Operator Comfort:

Optional fingertip control armrest provides operators with low-effort levers and length / height adjustment, all while increasing precision and control.

Adjustable Steering: The forklift’s steering column is equipped with standard memory tilt steering. Allowing for infinite adjustment in a 12 degree range, the steering column’s “memory” feature retains the operator’s preferred settings for added convenience and comfort during operation.

- Designed for operator comfort
- Adjustable seating for flexibility
- Enhanced visibility
- Memory tilt steering column

All come together to create a working environment that reduces fatigue through even the longest shifts.

Every operator is different, so the key to creating a comfortable shift is a flexible design.



The FGC15N-FGC33N series comes standard with the Integrated Presence System (IPS), which is designed to disengage all powered travel and some hydraulic functionality when the operator leaves the normal operating position. Additionally, warning alarms sound and indicators are shown on the display panel, informing the operator and surrounding personnel that the system is engaged.

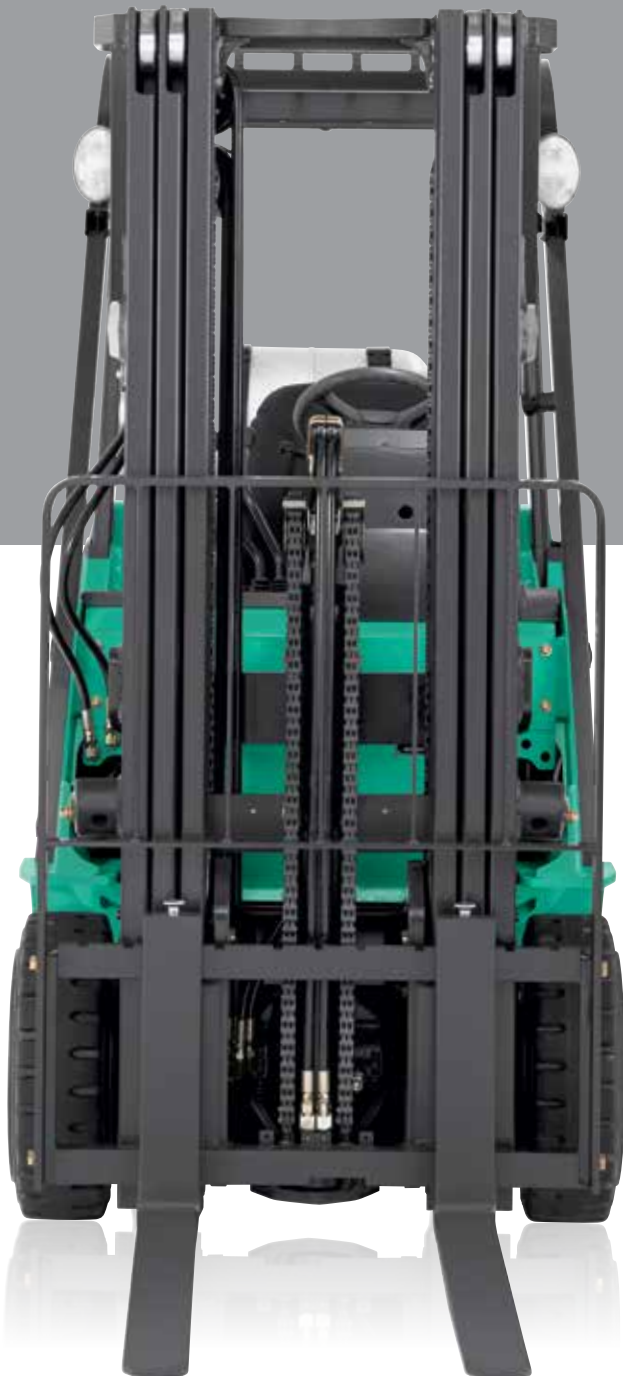


Features	Standard	Optional
Memory tilt steering column	●	
Integrated Presence System	●	
Two forward LED work lights	●	
Electronic back-up alarm	●	
Low LPG indicator	●	
Premium LCD Display	●	
Engine Protection System	●	
Full-suspension seat		●
Swivel seat package		●
Swing-down LP tank bracket		●

Ask your local dealer about the available options for improved performance, productivity and operator comfort.

POWERFUL EFFICIENCY.

QUALITY COMPONENTS AND EASY MAINTENANCE MEAN INCREASED UPTIME

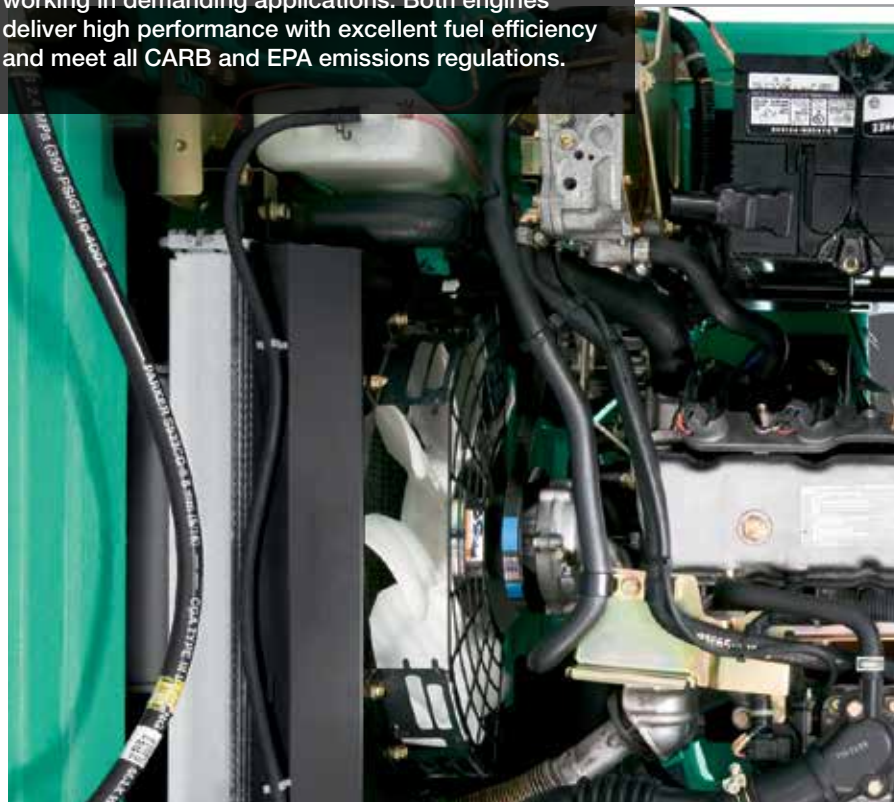


- Designed for uptime
- Smooth, powerful engines
- Reliable components
- Easy service access
- Flexible options

These features give Mitsubishi forklift trucks the strength to perform, shift after shift.

Efficient From The Inside Out:

The GK21 (53 hp / FGC15N-FGC25N) and GK25 (61 hp / FGC28N-FGC33N) engines – both proven performers – are well known for reliability when working in demanding applications. Both engines deliver high performance with excellent fuel efficiency and meet all CARB and EPA emissions regulations.



Cool And Quiet: The forklift's fan and radiator system is equipped with a horizontal cross flow cooling system to help keep the engine cool and functioning at peak performance. The corrugated design provides optimal heat exchange, while the aluminum core helps to prevent corrosion. The direct drive fan also reduces noise and necessary maintenance, benefiting your operators and your business.

Engine Protection: Regulated by the Vehicle Control Module, the Engine Protection System keeps the truck running at desirable levels while helping to prevent damage to the forklift, saving you money. If any of the vital fluids becomes critically low, RPM levels are automatically lowered and the operator is immediately notified by a light on the dash display.

Easy Service Access: Tool-free access to the engine compartment makes routine maintenance, such as cleaning radiator fins, much easier. Additionally, the Vehicle Control Module is conveniently located under the dashboard cup holder, making it readily accessible.



Additional options are available to customize the forklift for your application:

- Bottler's Tilt
- Ground Speed Control
- Warning Lights
- Fuel Saver Mode
- Underbelly Screen
- Air Intake Precleaner
- Foundry/Brick Protection



CHARACTERISTICS			FGC15N		FGC18N		FGC20CN		FGC20N	
1	Capacity at rated load center	lb kg	3,000	1,500	3,500	1,750	4,000	2,000	4,000	2,000
2	Capacity at load center - distance	in mm	24	500	24	500	24	500	24	500
3	Power – fuel type		LP gas		LP gas		LP gas		LP gas	
4	Tire type – cushion or pneumatic		cushion		cushion		cushion		cushion	
5	Wheels (x = driven) number front / rear		2x / 2		2x / 2		2x / 2		2x / 2	
DIMENSIONS										
6	Maximum fork height - with standard two-stage mast	in mm	131	3,325	131.0	3,325	131.0	3,330	131.5	3,340
7	Free fork height – with standard two-stage mast	in mm	4.5	115	4.5	115	4.7	120	5.1	130
8	Forks – length x width x thickness	in mm	42 x 3.9 x 1.4	1,070 x 100 x 35	42 x 3.9 x 1.4	1,070 x 100 x 35	42 x 3.9 x 1.6	1,070 x 100 x 40	42 x 3.9 x 1.6	1,070 x 100 x 40
9	Fork spacing, out-to-out minimum / maximum	in mm	7.9 / 32.3	200 / 820	7.9 / 32.3	200 / 820	7.9 / 32.3	200 / 820	7.9 / 36.2	200 / 920
10	Tilt, forward / backward	deg	5 / 10		5 / 10		5 / 10		5 / 9	
11	Length to fork face	in mm	82.3	2,090	83.5	2,120	85.8	2,180	90.4	2,295
12	Overall width with standard tires	in mm	38.2	970	38.2	970	40.2	1,021	41.9	1,064
13	Overall width with standard tires (wide stance)	in mm	39.3	997	39.3	997	N/A	N/A	44.4	1,128
14	Overall width with standard tires (wide axle)	in mm	Not Applicable							
15	Height with mast lowered	in mm	83.0	2,105	83.0	2,105	83.5	2,105	83.0	2,110
16	Seat height	in mm	43.1	1,096	43.1	1,096	43.1	1,096	42.7	1,086
17	Height to top of overhead guard	in mm	80.9	2,055	80.9	2,055	80.9	2,055	81.5	2,070
18	Height with mast extended	in mm	179.5	4,550	179.5	4,550	179.5	4,550	180.0	4,570
19	Minimum outside turning radius	in mm	69.9	1,775	71.3	1,810	72.8	1,850	77.4	1,965
20	Load moment constant	in mm	15.3	388	15.3	388	15.9	404	16.3	414
21	Minimum aisle – 90° stack – zero clearance without load	in mm	85.2	2,163	86.5	2,198	88.7	2,254	93.7	2,379
PERFORMANCE										
22	Travel speed, loaded / empty	mph km/h	9.6 / 10.3	15.5 / 16.5	9.6 / 10.3	15.5 / 16.5	9.6 / 10.3	15.5 / 16.5	10.9 / 11.2	17.5 / 18.0
23	Lift speed, loaded / empty	fpm mm/s	122 / 124	620 / 630	122 / 124	620 / 630	122 / 124	620 / 630	126 / 130	640 / 660
24	Lowering speed, loaded / empty	fpm mm/s	98.4 / 98.4	500 / 500	98.4 / 98.4	500 / 500	98.4 / 98.4	500 / 500	98.4 / 98.4	500 / 500
25	Drawbar pull – loaded at 1 mph (1.6 kph)	lb N	3,750	16,700	3,750	16,700	3,660	16,300	4,650	20,700
26	Drawbar pull – loaded maximum	lb N	4,270	19,000	4,270	19,000	4,160	18,500	5,190	23,100
27	Gradeability – loaded at 1 mph (1.6 kph)	%	45		40		36		45	
28	Gradeability – loaded maximum	%	53		47		42		51	
WEIGHT										
29	Empty	lb kg	6,070	2,760	6,450	2,930	7,010	3,180	7,360	3,340
30	Axle load without load, front / rear	lb kg	2,320 / 3,750	1,050 / 1,710	2,180 / 4,270	990 / 1,940	2,070 / 4,940	940 / 2,240	3,050 / 4,310	1,390 / 1,950
31	Axle load with load, front	lb kg	7,830	3,820	8,620	4,210	9,480	4,650	9,980	4,850
CHASSIS										
32	Tire size, front (standard)	in	18 x 6 x 12.125		18 x 6 x 12.125		18 x 7 x 12.125		21 x 7 x 15	
33	Tire size, rear	in	14 x 5 x 10		14 x 5 x 10		14 x 5 x 10		16 x 6 x 10.5	
34	Wheelbase	in mm	46.9	1,190	46.9	1,190	46.9	1,190	55.1	1,400
35	Tread width, front (standard tires)	in mm	32.2	818	32.2	818	33.2	843	34.9	886
36	Tread width, front (wide-stance tires)	in mm	33.3	845	33.3	845	N/A	N/A	37.4	950
37	Tread width, rear (standard tires)	in mm	32.3	820	32.3	820	32.3	820	35.0	890
38	Ground clearance at lowest point of mast	in mm	3.0	75.0	3.0	75.0	3.0	75.0	3.1	80.0
39	Ground clearance at center of wheelbase	in mm	4.6	116	4.6	116	4.6	116	5.5	139
40	Service brakes	type	foot-operated, hydraulic		foot-operated, hydraulic		foot-operated, hydraulic		foot-operated, hydraulic	
41	Parking brakes	type	hand-operated, mechanical		hand-operated, mechanical		hand-operated, mechanical		hand-operated, mechanical	
ELECTRICAL										
42	Engine model		GK21E		GK21E		GK21E		GK21E	
43	Continuous output (S.A.E. gross)	HP kW	50	37.4	50	37.4	50	37.4	55	41.0
44		at rpm	2,400		2,400		2,400		2,700	
45	Maximum torque (S.A.E. gross)	lb-ft Nm	111	151	111	151	111	151	111	151
46		at rpm	2,000		2,000		2,000		2,000	
47	Cylinder / displacement	cu in L	4 / 126	4 / 2.1	4 / 126	4 / 2.1	4 / 126	4 / 2.1	4 / 126	4 / 2.1
48	Transmission type		powershift		powershift		powershift		powershift	
49	Number of transmission speeds, forward / reverse		1 / 1		1 / 1		1 / 1		1 / 1	
50	Battery	volts	12		12		12		12	
HYDRAULICS										
51	Relief pressure	psi bar	2,630	181	2,630	181	2,630	181	2,630	181
52	Hydraulic flow	gpm L/min	19.0	72.0	19.0	72.0	19.0	72.0	23.5	89.1

SAFETY STANDARDS

These trucks meet American National Standards Institute/Industrial Truck Standards Development Foundation, ANSI/ITSDF B56.1. UL-Classified by Underwriters Laboratories, Inc., as to fire and electric shock hazard only; Type LP, LPS (optional), Industrial Trucks. Users should be aware of, and adhere to, applicable codes and regulations regarding operator training, use, operation and maintenance of powered industrial trucks, including:

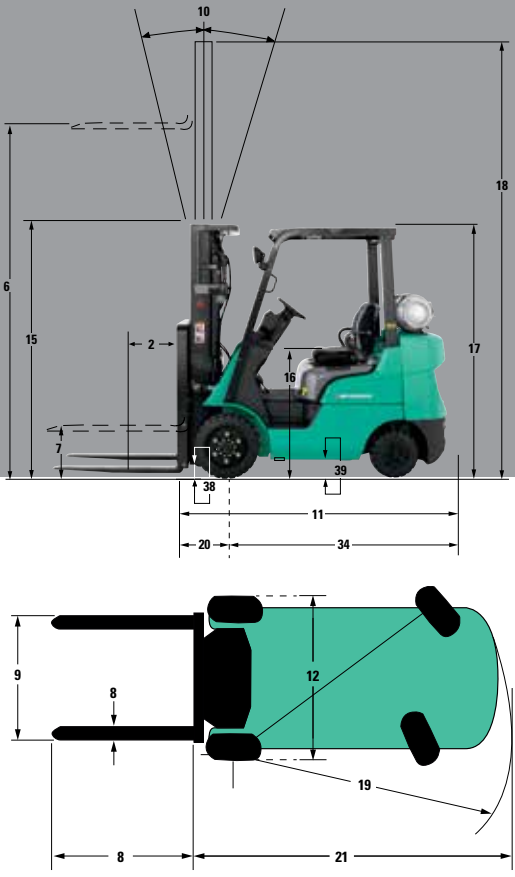
- ANSI/ITSDF B56.1.
- NFPA 505, fire safety standard for powered industrial trucks - type designations, areas of use, maintenance and operation.
- Occupational Safety and Health Administration (OSHA) regulations that may apply.

Specifications, equipment, technical data, photos and illustrations based on information at time of printing and subject to change without notice. Some products may be shown with optional equipment.

	FGC25N		FGC28N		FGC30N		FGC33N	
1	5,000	2,500	5,500	2,800	6,000	3,000	6,500	3,300
2	24	500	24	500	24	500	24	500
3	LP gas		LP gas		LP gas		LP gas	
4	cushion		cushion		cushion		cushion	
5	2x / 2		2x / 2		2x / 2		2x / 2	
6	131.5	3,340	130.5	3,315	130.5	3,315	131.0	3,345
7	5.1	130	5.3	135	5.3	135	5.5	140
8	42 x 3.9 x 1.6	1,070 x 100 x 40	42 x 4.9 x 1.8	1,070 x 125 x 45	42 x 4.9 x 1.8	1,070 x 125 x 45	42 x 4.9 x 1.8	1,070 x 125 x 45
9	7.9 / 36.2	200 / 920	7.9 / 37.8	200 / 960	7.9 / 37.8	200 / 960	7.9 / 37.8	200 / 960
10	5 / 9		5 / 6		5 / 6		5 / 6	
11	92.7	2,355	95.3	2,420	96.7	2,455	97.8	2,485
12	41.9	1,064	43.9	1,115	43.9	1,115	43.9	1,115
13	44.4	1,128	45.5	1,155	45.5	1,155	45.5	1,155
14	Not Applicable							
15	83.0	2,110	83.0	2,110	83.0	2,110	88.0	2,230
16	42.7	1,086	42.7	1,086	42.7	1,086	42.7	1,086
17	81.5	2,070	81.5	2,070	81.5	2,070	81.5	2,070
18	180.0	4,570	179.0	4,540	179.0	4,540	181	4,570
19	79.5	2,020	81.3	2,065	82.5	2,095	83.7	2,125
20	16.3	414	17.2	436	17.2	436	17.4	441
21	95.8	2,434	98.5	2,501	99.6	2,531	101.0	2,566
22	10.9 / 11.2	17.5 / 18.0	10.3 / 10.6	16.5 / 17.0	10.3 / 10.6	16.5 / 17.0	10.3 / 10.6	16.5 / 17.0
23	126 / 130	640 / 660	104 / 106	530 / 540	104 / 106	530 / 540	104 / 106	530 / 540
24	98.4 / 98.4	500 / 500	98.4 / 98.4	500 / 500	98.4 / 98.4	500 / 500	98.4 / 98.4	500 / 500
25	4,610	20,500	4,860	21,600	4,830	21,500	4,830	21,500
26	5,170	23,000	5,510	24,500	5,490	24,400	5,460	24,300
27	37		36		33		31	
28	43		41		38		35	
29	8,160	3,710	9,010	4,090	9,490	4,310	9,940	4,510
30	2,830 / 5,330	1,290 / 2,420	3,010 / 5,990	1,370 / 2,720	2,900 / 6,590	1,320 / 2,990	2,880 / 7,060	1,300 / 3,210
31	11,490	5,620	12,640	5,730	13,390	6,560	14,230	7,070
32	21 x 7 x 15		21 x 8 x 15		21 x 8 x 15		21 x 8 x 15	
33	16 x 6 x 10.5		16 x 6 x 10.5		16 x 6 x 10.5		16 x 6 x 10.5	
34	55.1	1,400	55.1	1,400	55.1	1,400	55.1	1,400
35	34.9	886	35.9	912	35.9	912	35.9	912
36	37.4	950	37.5	952	37.5	952	37.5	952
37	35.0	890	35.0	890	35.0	890	35.0	890
38	3.1	80.0	3.1	80.0	3.1	80.0	3.1	80.0
39	5.5	139	5.5	139	5.5	139	5.5	139
40	foot-operated, hydraulic		foot-operated, hydraulic		foot-operated, hydraulic		foot-operated, hydraulic	
41	hand-operated, mechanical		hand-operated, mechanical		hand-operated, mechanical		hand-operated, mechanical	
42	GK21E		GK25E		GK25E		GK25E	
43	55	41.0	63	46.9	63	46.9	63	46.9
44	2,700		2,700		2,700		2,700	
45	111	151	139	188	139	188	139	188
46	2,000		1,600		1,600		1,600	
47	4 / 126	4 / 2.1	4 / 152	4 / 2.5	4 / 152	4 / 2.5	4 / 152	4 / 2.5
48	powershift		powershift		powershift		powershift	
49	1 / 1		1 / 1		1 / 1		1 / 1	
50	12		12		12		12	
51	2,630	181	2,630	181	2,630	181	2,630	181
52	23.5	89.1	23.5	89.1	23.5	89.1	23.5	89.1

Call-out numbers shown in the diagram below correspond to the first column of the specifications chart.

FGC15N- FGC33N



FGC15N-FGC33N

3,000-6,500 LB CAPACITY CUSHION TIRE FORKLIFT

Delivering Exceptional Value

More Than 296,000 Parts To Keep You Running

Mitsubishi Forklift Trucks offers several parts programs, all designed to bring you top performance and convenience for your material handling needs. Contact your local dealer to put our services to work for you.

Support To Fit Your Operation

Find out why more companies are relying on Mitsubishi forklift truck dealers to keep their fleet operating at top performance. Our efficiency provides customers with a better return on investment, and qualified service technicians, diverse parts inventory and unparalleled selection of service options can help reduce your total cost of ownership.

Extensive Dealer Network

The Mitsubishi forklift truck dealer network is dedicated to finding the right forklift solution for your business. With more than 300 dealer locations, you can rely on your local dealer to provide the service you need when you need it most.



Manufactured with superior quality and exceptional value, Mitsubishi forklift trucks are supported by an extensive dealer and field support network located throughout North and South America. Don't forget to ask your local Mitsubishi forklift truck dealer about details on factory retail programs, financing plans and additional options and dealer services like planned maintenance and operator training.