

Trolley for Large Load Containers

Suitable for Jungheinrich trailers

Available in several sizes and load capacities

Unique trailer design allows for more precise lane guidance

Trolley's lifting platform makes loading / unloading trailers easier, while saving time



RW 0.6T & 1.2T Trolley for GTE Trailers

1,300 / 2,600 lbs.

Trolleys are used to transport Large Load Containers (LLC) in a tow train, such as pallets or bulk containers. In order to be able to handle LLCs at a destination without the use of additional equipment, it is possible to move the LLC manually with the trolleys. The trolleys are precisely matched to the Jungheinrich GTE trailers.

The LLCs are placed on the trolleys, pushed into the trailers and mechanically locked. During travel, the trolleys are raised by the trailer so that they do not roll on their own wheels.

The RW Trolleys for GTE have the following advantages:

- **Low roll resistance:** The trolley wheels have optimized roll resistance due to the ball bearings and hard treads. The trolley wheels have been optimized for low rolling resistance due to the ball bearings and hard tread. This helps when manually moving the trolley.
- **Quiet operation:** Trolleys designed with hard rollers can be loud and wear quickly. The Jungheinrich trolleys feature a smooth and durable design that not only last, but are also very quiet.

- **Precise lane guidance:** The frame of the trailer allows for more precise lane guidance. In contrast, trolleys with four steering rollers require external guidance.
- **Easy to use:** Thanks to their lifting platform, the GTE trailers also allow for the easy loading and unloading of the trolleys.

The Jungheinrich trolleys are designed to work in tandem with the GTE tow train trailers to provide customers with a productive, reliable and smooth method of transporting multiple loads of goods simultaneously.

 **JUNGHEINRICH®**

Technical data

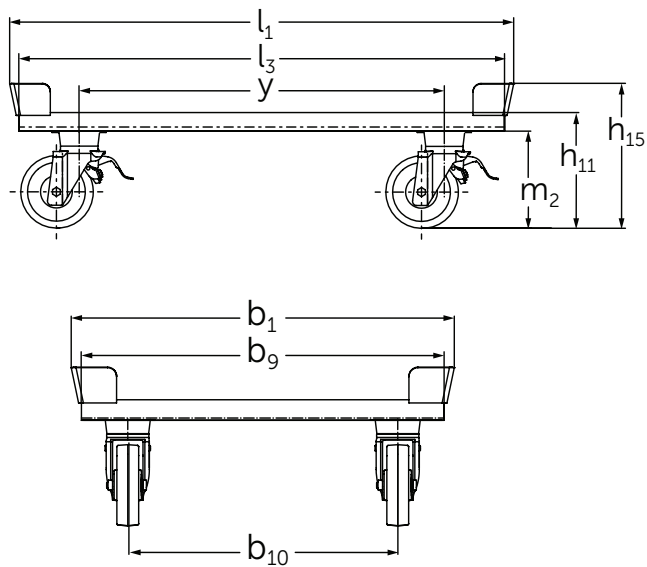
as of: 08/2018

Characteristics	1.1				Jungheinrich									
	1.2				RW 0,6t 47.2 x 31.5		RW 0,6t 47.2 x 39.4		RW 1,2t 47.2 x 31.5		RW 1,2t 47.2 x 39.4			
Weights	1.3				manual		manual		manual		manual			
		1.5	Load capacity / rated load	Q	lb	kg	1,300	600	1,300	600	2,600	1,200	2,600	1,200
	1.9	Wheelbase	y	in	mm	35.8	910	35.8	910	35.8	910	35.8	910	
Wheels, Chassis	2.1				lb	kg	99.2	45	105.8	48	79.4	36	83.8	38
	3.1	Tire type / material			Nylon		Nylon		Nylon		Nylon			
	3.2	Tire size, (front)		in	mm	Ø 6.9 x 1.9	Ø 175 x 48	Ø 6.9 x 1.9	Ø 175 x 48	Ø 6.9 x 1.9	Ø 175 x 48	Ø 6.9 x 1.9	Ø 175 x 48	
	3.3	Tire size, (rear)		in	mm	Ø 6.9 x 1.9	Ø 175 x 48	Ø 6.9 x 1.9	Ø 175 x 48	Ø 6.9 x 1.9	Ø 175 x 48	Ø 6.9 x 1.9	Ø 175 x 48	
	3.5	Wheels, number drive / load (x=driven)			2 / 2		2 / 2		2 / 2		2 / 2			
	3.6	Tread width, front	b ₁₀	in	mm	23.7	603	31.6	803	23.7	603	31.6	803	
Dimensions	4.2.1	Total height	h ₁₅	in	mm	13.8	351	13.8	351	13.8	351	13.8	351	
	4.13	Loading height without load	h ₁₁	in	mm	11.0	280	11.0	280	11.0	280	11.0	280	
	4.18	Loading area width	b ₉	in	mm	31.9	810	39.8	1,010	31.9	810	39.8	1,010	
	4.19	Overall length	l ₁	in	mm	49.4	1,255	49.4	1,255	49.4	1,255	49.4	1,255	
	4.21	Overall width	b ₁	in	mm	33.7	855	41.5	1,055	33.7	855	41.5	1,055	
	4.32	Ground clearance, center of wheelbase	m ₂	in	mm	9.3	235	9.3	235	9.3	235	9.3	235	
	4.38.12	Platform length	l ₃	in	mm	47.6	1,210	47.6	1,210	47.6	1,210	47.6	1,210	
Performance	5.10				optional		optional		optional		optional			

Note: Equipping this model (these models) with a power source (e.g. Lithium-ion, Hydrogen Fuel cell, etc.) that has not been previously approved by the factory is considered a modification. Per OSHA 1910.178 and ANSI/ITSDF B56.1, please consult with your factory representative prior to installing any non-OEM power source that has not been previously approved.

This specification sheet only provides technical values for the standard truck. Non-standard tires, different masts, additional equipment, etc., could produce other values. Rights reserved for technical changes and improvements.

RW 0.6 & 1.2 Trolleys for GTE



The Jungheinrich Advantage



Available in several sizes and load capacities



Optional handle bar for increased height

Design Features

- 4 steering rollers, two with diagonal wheel locks.
- Large wheels made of polyamide with ball bearings for easy manual handling.
- Electrostatic Discharge wheel with electrical conductivity.
- Frame in Jungheinrich gray to match the complete Jungheinrich tow tractor line.

Ergonomic Design

There are various options that ease the handling of heavy and awkward loads:

- Attachable handles allows operators to comfortably grip at the trolley and work at an ergonomic height.
- Lockable steering roller provides directional stability when pushing manually.
- Optional beam extensions make it easier to access loads without having to bend over.

Options

- Loads for 1,300 / 2,600 lbs.
- Dimensions in 47.2" X 31.5" and 47.2" X 39.4".
- Clip-on push handle.
- Parking brake with fixed brake pedal.
- Locking rollers for easier handling of heavy loads.
- Beam extension for ergonomic unloading of large load carriers.
- Wooden floor with rubber mat to allow smaller loads to be transported securely.
- Various color options available.

Parts when you need them

Jungheinrich's Parts Fast or Parts Free Guarantee ensures next-business-day delivery by 5:00 PM of all Jungheinrich parts in the United States, or they're free, including freight. For customers in Canada and Mexico, the guarantee ensures shipping of parts within 24 hours from the time the order was placed by the dealer. See your local Jungheinrich dealer for program details.

* Programs may be subject to change without notice and may vary by region. Please ask your local Jungheinrich dealer for complete terms and conditions.