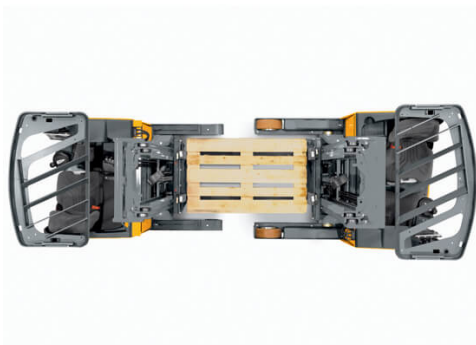


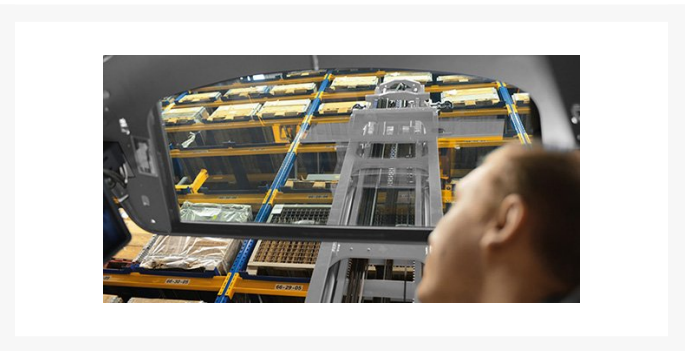
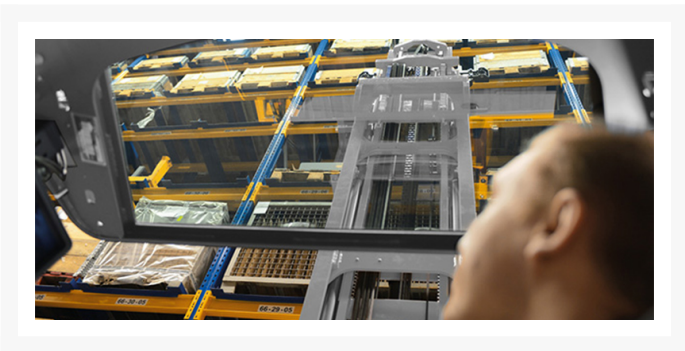
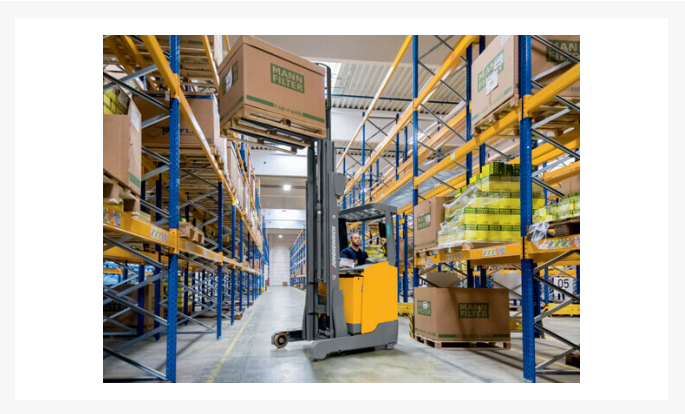


Jungheinrich 2,200 - 2,600 lb. Electric Sit-Down Moving Mast High Reach Forklifts

Contact us
for price

Images





Description

Space-saving construction, 4th generation 3-phase AC technology and a spacious and ergonomic operator compartment are the strengths of the ETV 110/112 series of reach trucks. With its slim support arms, the 2,200-2,600 lb. capacity reach trucks allow for more space through narrow working aisles, creating more room during operation. Overall, these reach trucks provide the best solution for cost-effective stacking and retrieval at high lift heights and in confined spaces.

Additional Information

Manufacturer

Jungheinrich

Certifications

Payment details

Financing

Shipping & pickup

Buyer is responsible for shipping arrangements and all costs related to transporting the equipment including permits, tear-down, cranes, or other incidentals that may be required to legally transport your purchase.

Following the settlement of the outstanding balance, arrangements must be made immediately to have equipment picked up within ten (10) business days as Toromont may, at its discretion, assess storage fees.

FAQ

